

technical
data sheet

QB 112

w 11,81x h 53,15 x d 11,81"
w 300x h 1350x w 300mm

instructions

use

the base must be mounted with a stainless steel FHC screw and a 6-sided M6 wood insert.

the fixing of the document holder is secured by an FHC M4 screw and opening with an Allen key 1,3

marking

on the paper document (170gr max. not supplied) printing with a laser or inkjet printer.

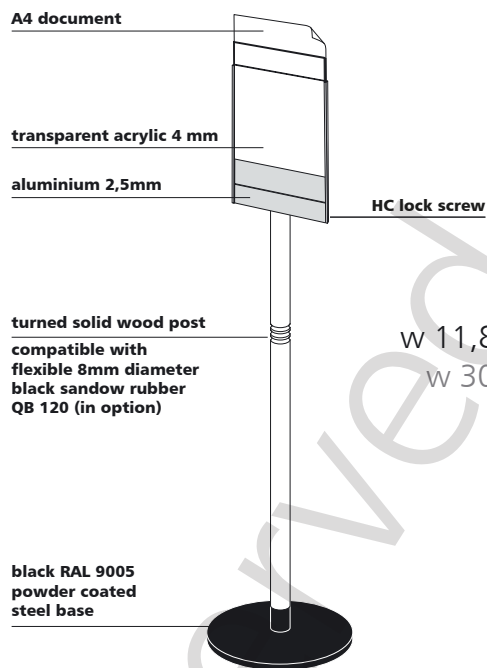
fastening

free-standing

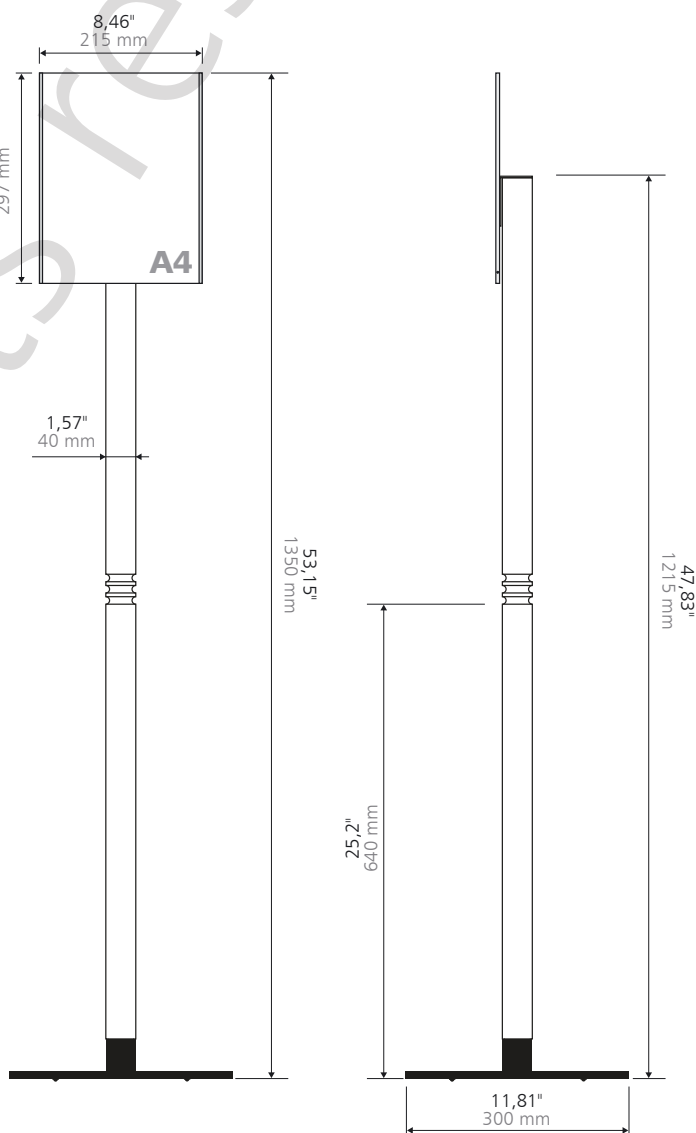
the design allows three connections with Qborne products through a link in black sandow rubber QB 120 (not included)

cleaning

alcoholfree household cleaning product with a soft piece of textile.



sizes



finish

standards

turned solid wood post with transparent matte varnish.

0,39" / 10mm welded steel base RAL 9005 black powder coating.