

## instructions

### use

the base must be mounted with a stainless steel FHC screw and a 6-sided M6 wood insert.

the fixing of the document holder is secured by an FHC M4 screw and opening with an Allen key 1,3

### marking

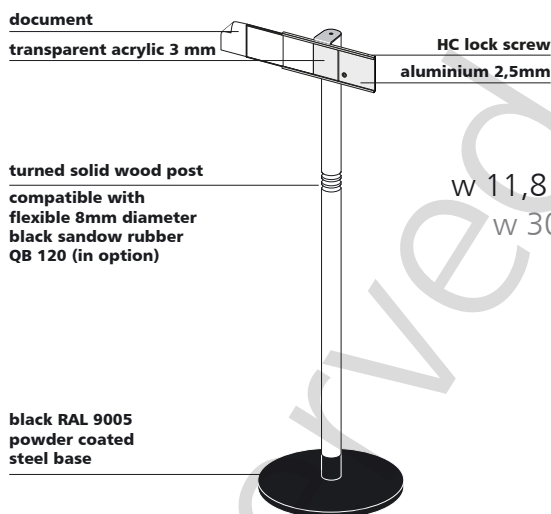
on the paper document (170gr max. not supplied) printing with a laser or inkjet printer. The product also allows to maintain an A4 document with the clamp system (clip)

### fastening

free-standing  
the design allows three connections with Qborne products through a link in black sandow rubber QB 120 (not included)

### cleaning

alcoholfree household cleaning product with a soft piece of textile.

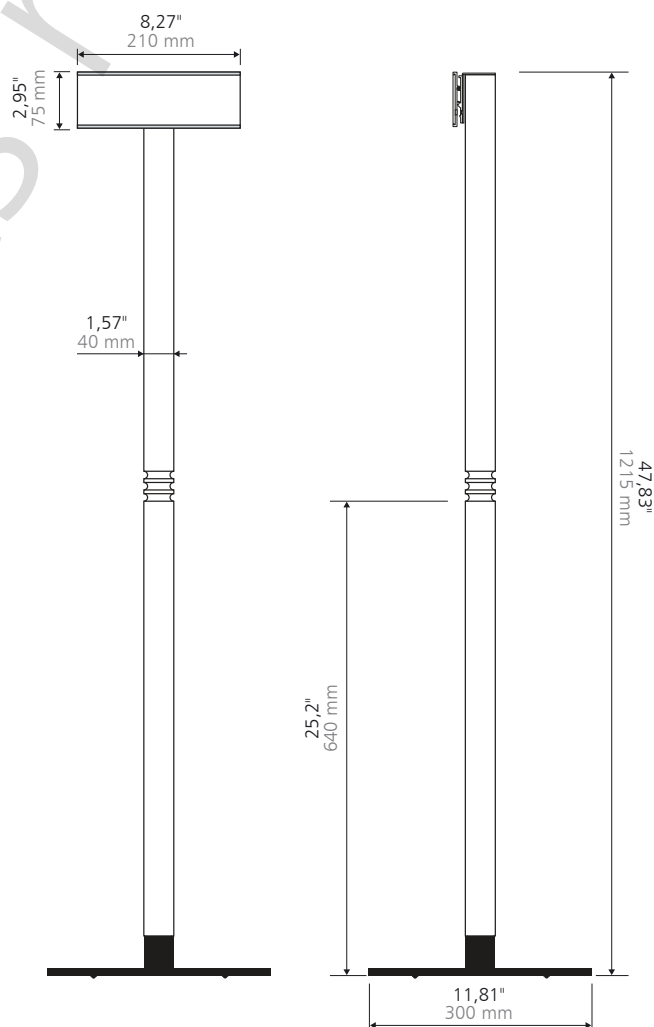
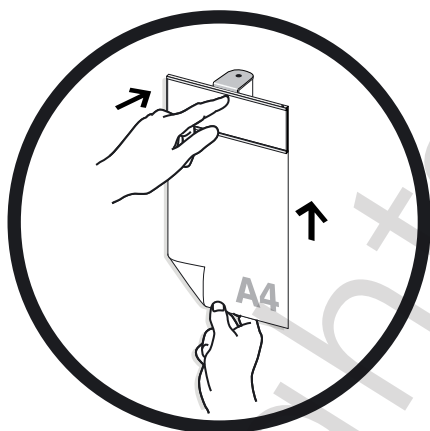


## technical data sheet

### QB 114

w 11,81x h 47,83 x d 11,81"  
w 300 x h 1215 x 300mm

## sizes



## finish

### standards

turned solid wood post  
with transparent matte varnish.

0,39" / 10mm welded steel base  
RAL 9005 black powder coating.