

**instructions****use**

remove the 2 strips using a 2 mm Allen key,  
and insert the plan.

**marking**

printing the plan with a laser or inkjet printer  
on paper A4 (not supplied).

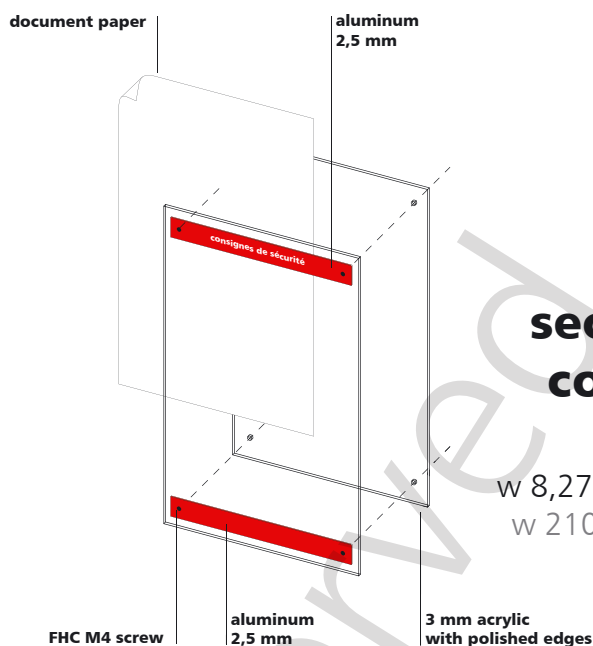
**fastening**

structural fixing ensured by 4 FHC M4 screws.

**cleaning**

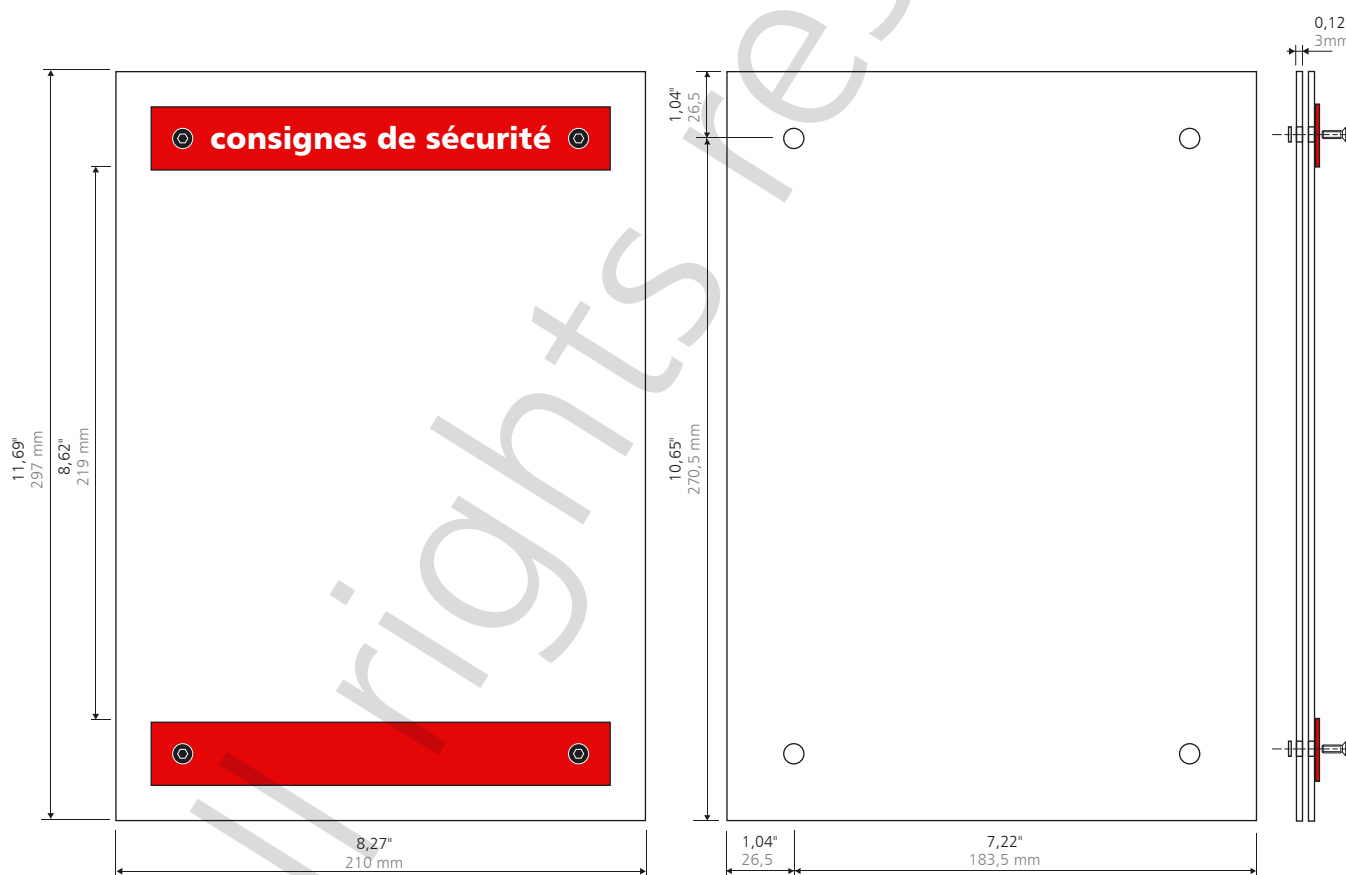
alcoholfree household cleaning product  
with a soft piece of textile.

normes NF X 08-070  
ISO 7010



# technical data sheet secu CONS A4 consignes de sécurité

w 8,27 x h 11,69 x d 0,33"  
w 210 x h 297 x d 8,5mm

**sizes****front view****side view****finish**

- 2 transparent 3 mm acrylic sheets with polished edges
- 2 aluminum strips 2,5mm powder coating safety red RAL 3001 and silk-screen printed "consignes de sécurité"