

instructions

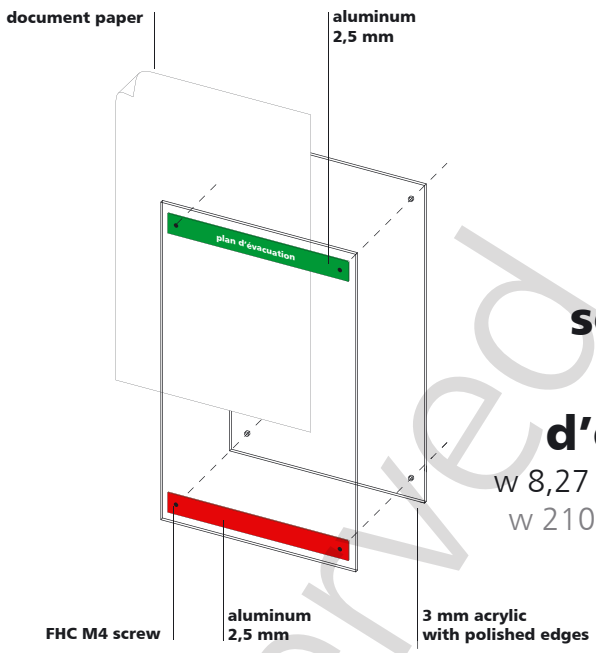
use
remove the 2 strips using a 2 mm Allen key, and insert the plan.

marking
printing the plan with a laser or inkjet printer on paper A4 (not supplied).

fastening
structural fixing ensured by 4 FHC M4 screws.

cleaning
alcoholfree household cleaning product with a soft piece of textile.

normes NF X 08-070
ISO 7010

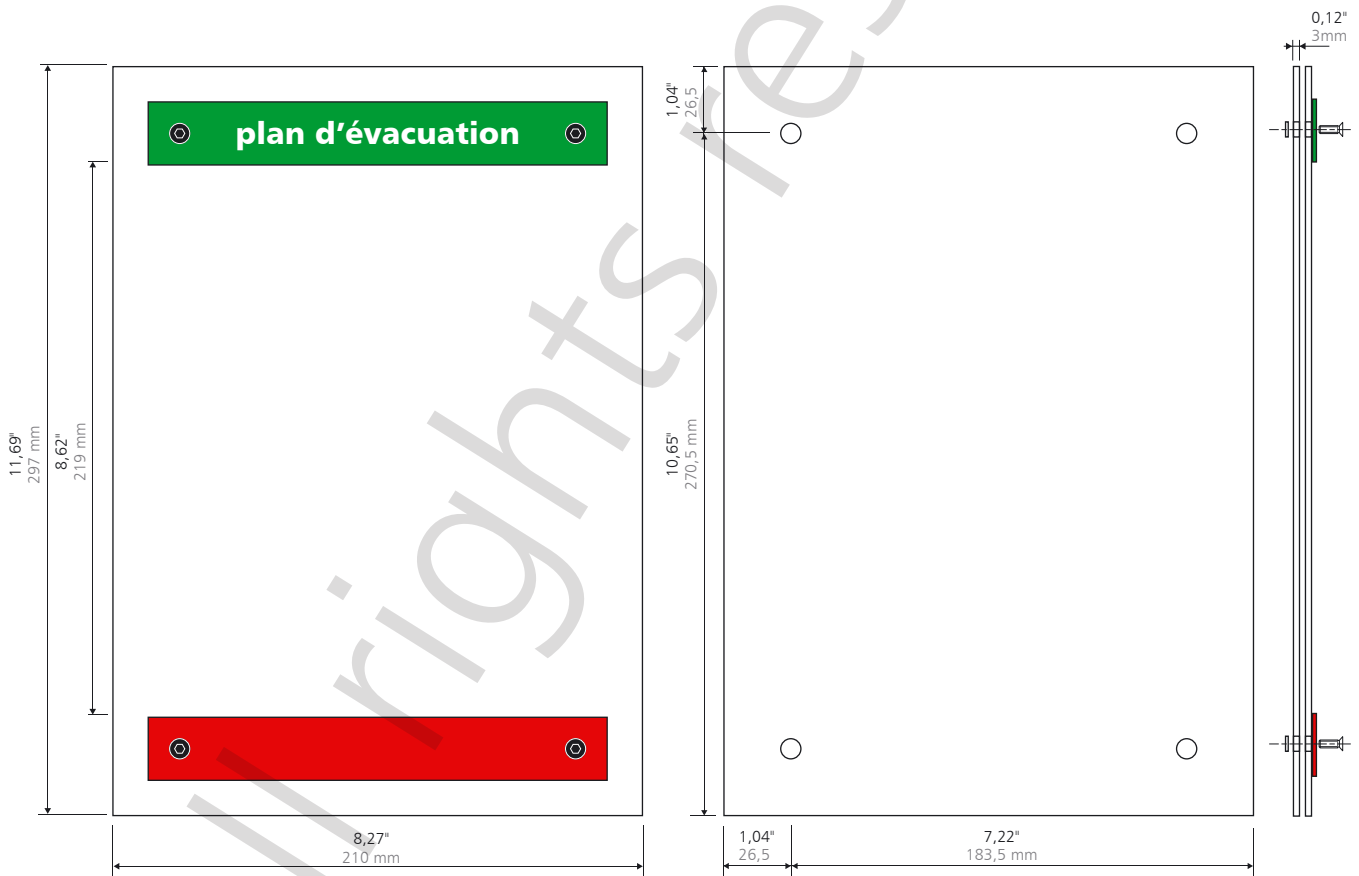


technical
data sheet
secu PEV A4
**plan
d'évacuation**
w 8,27 x h 11,69 x d 0,33"
w 210 x h 297 x d 8,5mm

sizes

front view

side view



finish

- 2 transparent 3 mm acrylic sheets with polished edges
- 2 aluminum strips 2,5mm powder coating safety red RAL 3001 and safety green RAL 6032, and silk-screen printed "plan d'évacuation"