

## instructions

### use

remove the 2 strips using a 2 mm Allen key, and insert the plan.

### marking

printing the plan with a laser or inkjet printer on paper A2 (not supplied).

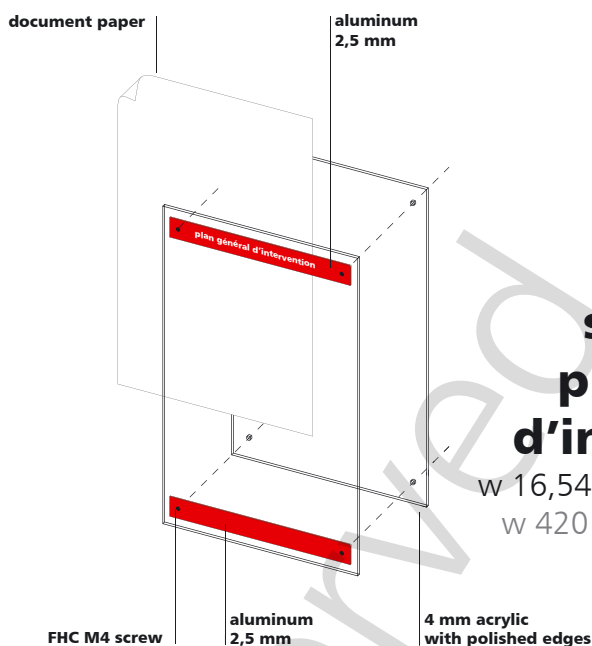
### fastening

structural fixing ensured by 4 FHC M4 screws.

### cleaning

alcoholfree household cleaning product with a soft piece of textile.

normes NF X 08-070  
ISO 7010



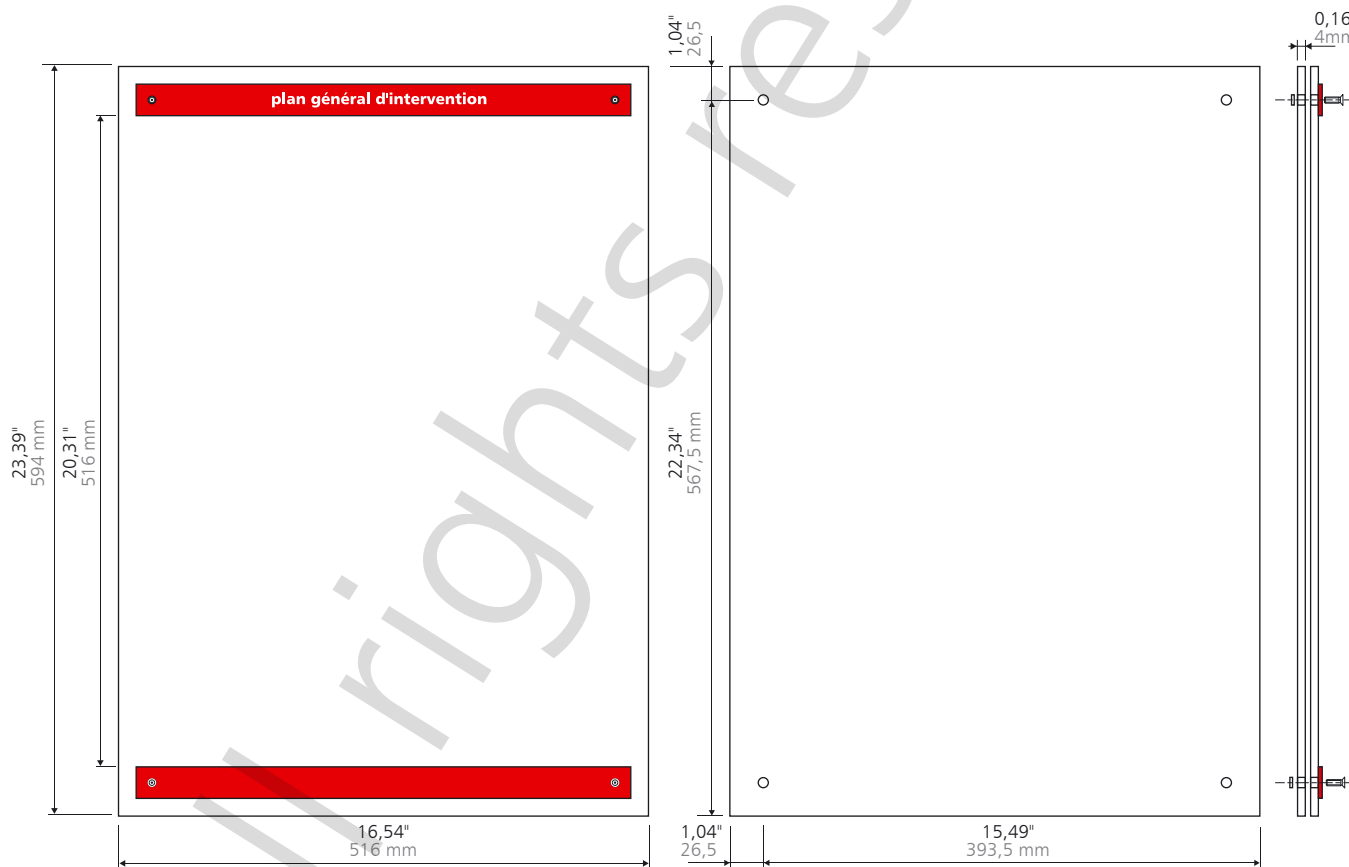
## technical data sheet secu PGI A2 plan général d'intervention

w 16,54 x h 23,39 x d 0,41"  
w 420 x h 594 x d10,5mm

## sizes

### front view

### side view



## finish

- 2 transparent 4 mm acrylic sheets with polished edges
- 2 aluminum strips 2,5mm powder coating safety red RAL 3001 and silk-screen printed "plan d'intervention"