

## instructions

### use

remove the 2 strips using a 2 mm Allen key, and insert the plan.

### marking

printing the plan with a laser or inkjet printer on paper A3 (not supplied).

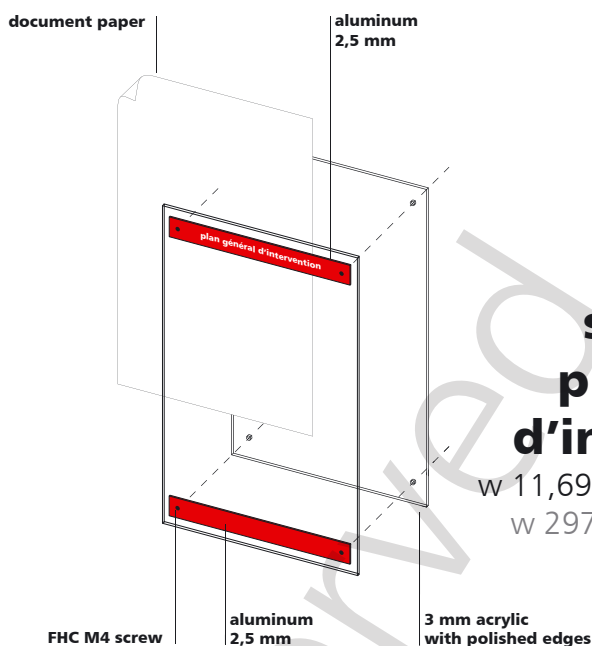
### fastening

structural fixing ensured by 4 FHC M4 screws.

### cleaning

alcoholfree household cleaning product with a soft piece of textile.

normes NF X 08-070  
ISO 7010



## technical data sheet secu PGI A3 plan général d'intervention

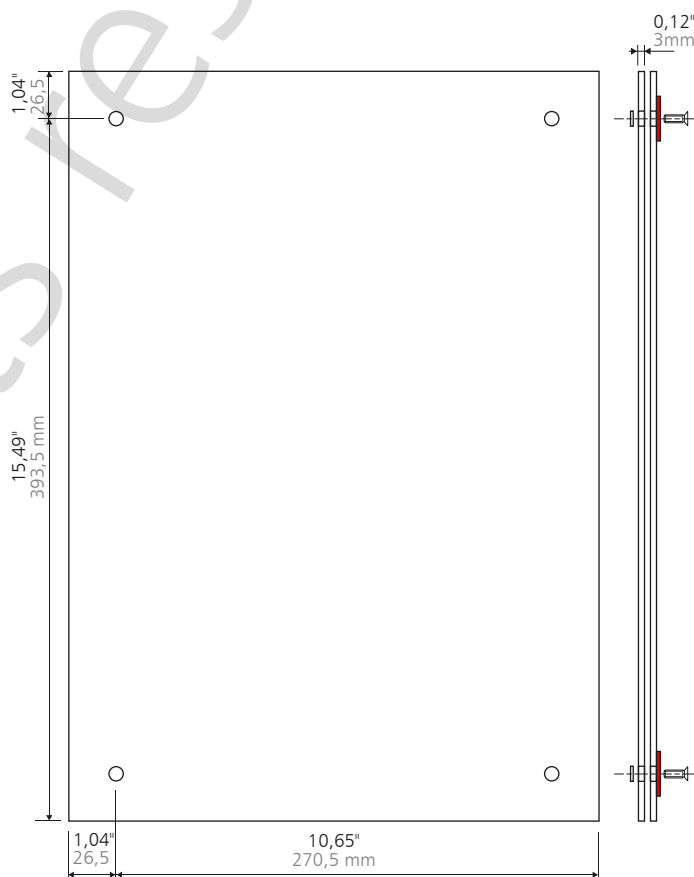
w 11,69 x h 16,54 x d 0,33"  
w 297 x h 420 x d 8,5mm

## sizes

### front view



### side view



## finish

- 2 transparent 3 mm acrylic sheets with polished edges
- 2 aluminum strips 2,5mm powder coating safety red RAL 3001 and silk-screen printed "plan général d'intervention"